

Product Data Sheet

Product Name:

Series C Column Cover
Interior / Exterior Hairline Joints

Manufacturer:

Columbia Architectural Products, Inc.
10722 Tucker Street
Beltsville, Maryland 20705
phone: (301) 937-4383
fax: (301) 937-6850
web: www.capacm.com

Panel Description:

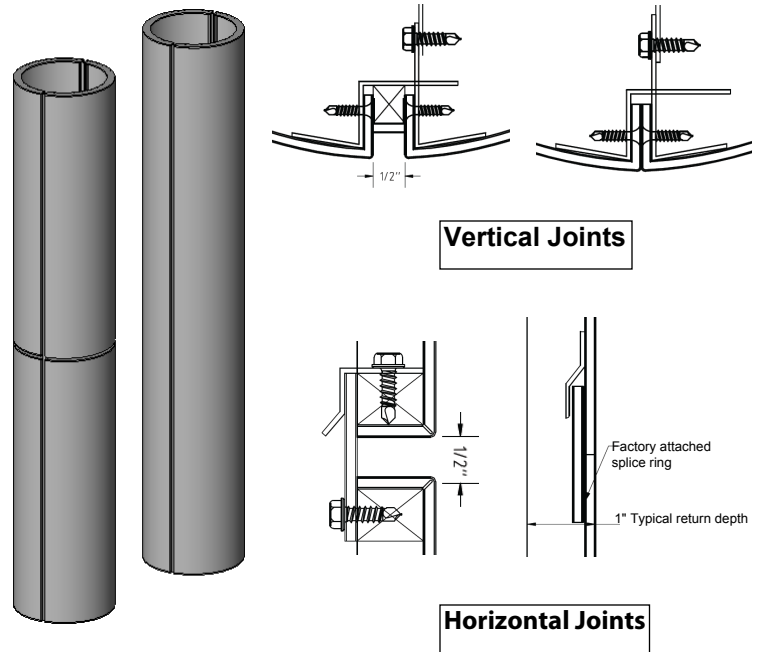
Our Series "C" Column Cover offers a hairline or reveal joint assembly featuring Reynobond® aluminum composite. The CAP slip lock assembly allows for a quick and easy installation.

Available in various standard or custom configurations and finishes.

These Column Covers are used for both interior and exterior commercial applications such as office buildings and retail establishments.

Available in sizes from 13" diameter and up and in single heights up to 16'.

Standard Color Selection:



Panel Composition:

Our standard column skins are 4mm with PE core with High Performance Kynar finishes. An optional Fire rated, FR core is also available.

Warranty:

30 year finish warranty.

Other available Options:

Top and Base reveals from 1/2" to 6".
1/2" and 1" Vertical and Horizontal reveals.



*Also available in custom colors with minimum order.
Call for additional stock colors.